



HOOD

FEATURES

NBI7501CHSS



Built In Hood



Stainless Steel Body

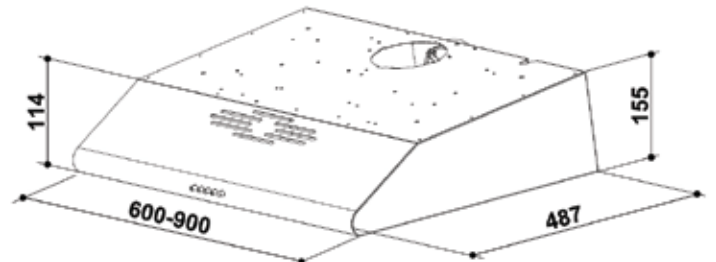
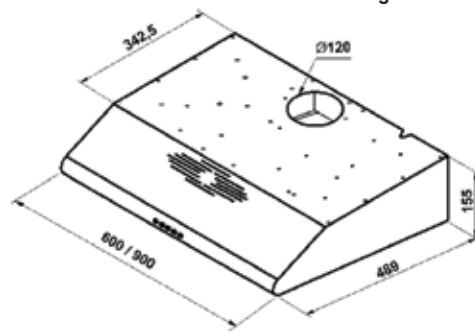


Noise Level 58dba



3 Spin Motor

- 60 cm Built-in Hoods
- 3 Spin Motor
- Push Button Control Silver
- Stainless Steel Control Panel and Body
- Carbon Filter, Alm Filter x2
- LED Light, 280 m3/H Vacuum Power
- 220-240V~,50Hz
BS Plug



PACKING DETAILS

| | |
|-----------------------|--------------------------|
| Net Weight | : 6.0 Kg |
| Gross Weight | : 7.0 Kg |
| Product Dimensions | : 600x489x155 MM (WxDxH) |
| Packing Dimensions | : 620x170x520 MM (WxDxH) |
| Loading Capacity 40hq | : 1150 |





HOOBS

FEATURES

NBI7501CHW



Built In Hood



White Finish
Body



Noise Level
58dba

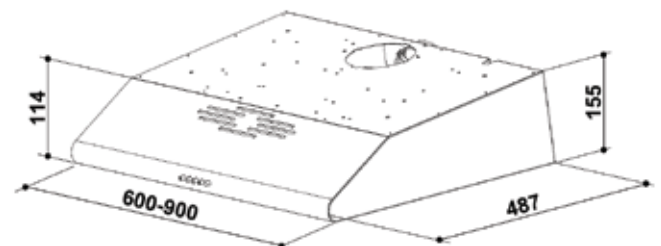
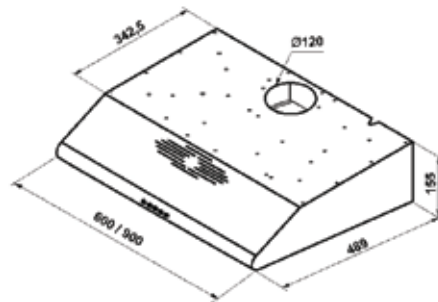


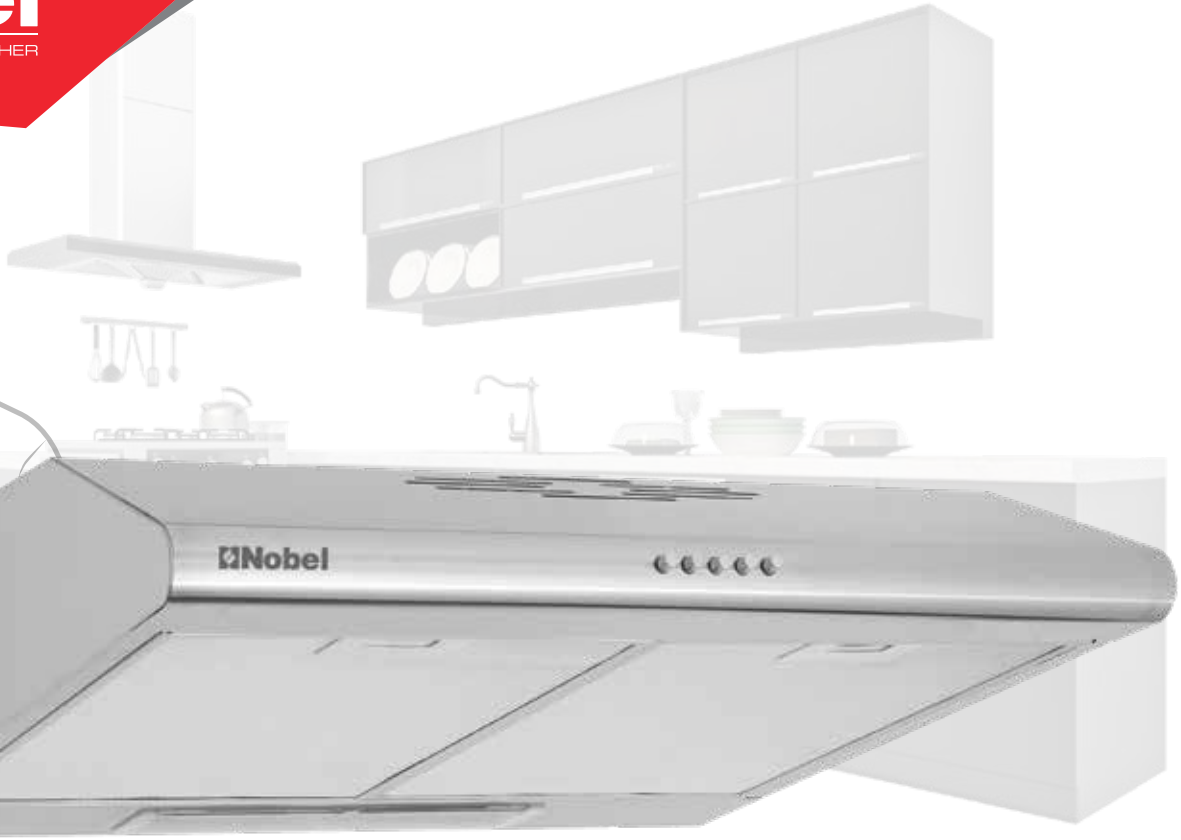
3 Speed
Setting

- 60cm Width
- White Finish Body
- Mechanical Push Button Control
- 3 Speed Settings
- Performance M³/H 280 (3Spd)
- 58dba Noise Level

PACKING DETAILS

| | |
|-----------------------|--------------------------|
| Net Weight | : 6.0 Kg |
| Gross Weight | : 7.0 Kg |
| Product Dimensions | : 600x489x155 MM (WxDxH) |
| Packing Dimensions | : 620x170x520 MM (WxDxH) |
| Loading Capacity 40hq | : 1150 |





HOOBS

FEATURES

NBI7501CHX



Built In Hood



Stainless
Steel Body



Noise Level
58dba

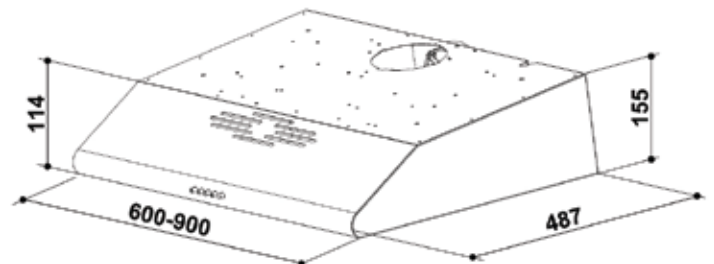
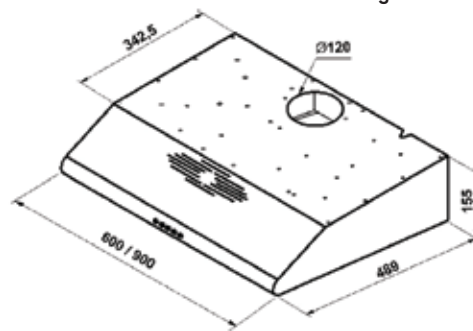


3 Speed
Setting

- Stainless Steel Finish Body
- Mechanical Push Button Control
- 3 Speed Settings
- Performance M³/H 280 (3Spd)
- 58dba Noise Level
- LED Light

PACKING DETAILS

| | |
|-----------------------|--------------------------|
| Net Weight | : 6.0 Kg |
| Gross Weight | : 7.0 Kg |
| Product Dimensions | : 600x489x155 mm (WxDxH) |
| Packing Dimensions | : 620x170x520 mm (WxDxH) |
| Loading Capacity 40hq | : 780 |





HOOD

FEATURES

NBI7509CHSS



Built In Hood



White Finish
Body



Noise Level
58dba

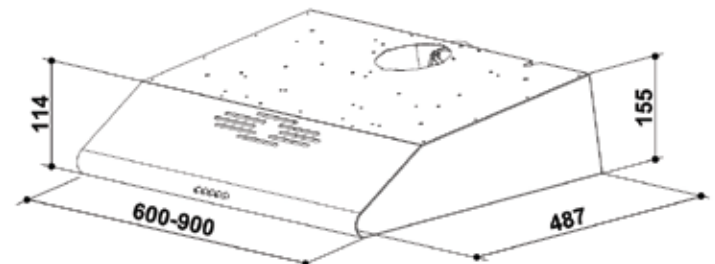
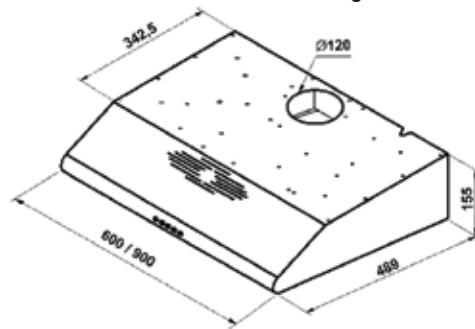


3 Speed
Setting

- 90 cm Built-in Hoods
- 3 Spin Motor
- Push Button Control Silver
- Stainless Steel Control Panel and Body
- Carbon Filter
- Alm Filter x3
- LED Light
- 280 m³/H Vacuum Power
- 220-240V~,50Hz
- BS Plug

PACKING DETAILS

Net Weight : 9.0 Kg
Gross Weight : 10.0 Kg
Product Dimensions (WxDxH): 900x489x155 mm
Packing Dimensions (WxDxH): 920x170x520 mm
Loading Capacity 40hq : 780





HOOD

FEATURES

NBI7509CHW



Built In Hood



White Finish
Body



Noise Level
58dba

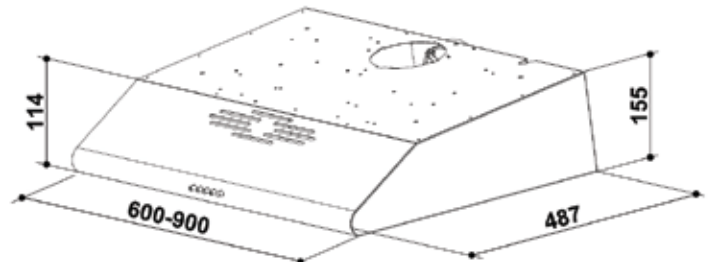
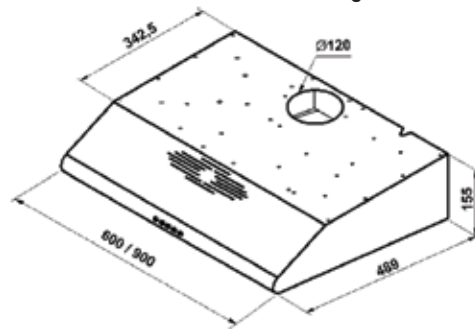


3 Spin
Motor

- 90 cm Built-in Hoods
- Push Button Control
- 3 Spin Motor
- White Control Panel and Body
- CarboC Filter, Alm Filter x3
- LED Light, 280 m³/H Vacuum Power
- 220-240V~,50Hz
- BS Plug

PACKING DETAILS

Net Weight : 9.0 Kg
Gross Weight : 10.0 Kg
Product Dimensions (WxDxH): 900x489x155 mm
Packing Dimensions (WxDxH): 920x170x520 mm
Loading Capacity 40hq : 780





HOOBS

FEATURES

NBI7509CHX



Built In Hood



Stainless Steel

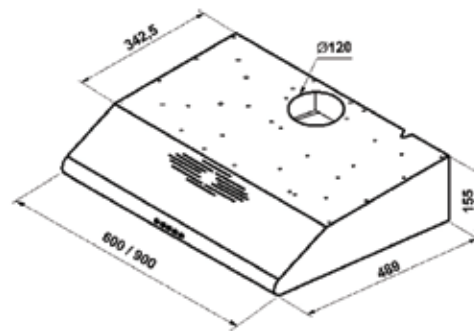


Noise Level
58dba



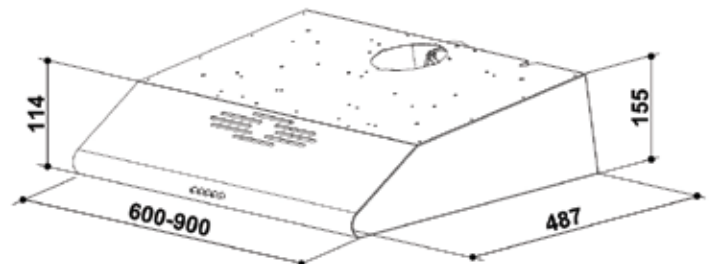
3 Speed
Setting

- Stainless Steel Finish
- Mechanical Push Button Control
- 3 Speed Settings
- Performance M³/H 280 (3Spd)
- 58dba Noise Level
- 1 x 28W Halogen Light



PACKING DETAILS

Net Weight : 9.0 Kg
Gross Weight : 10.0 Kg
Product Dimensions (WxDxH): 900x489x155 mm
Packing Dimensions (WxDxH): 920x170x520 mm
Loading Capacity 40hq : 780





HOOBS

FEATURES

NBI8630CH



Built In Hood



Stainless Steel &
Transparent Tempered
Glass



Noise Level
58dba



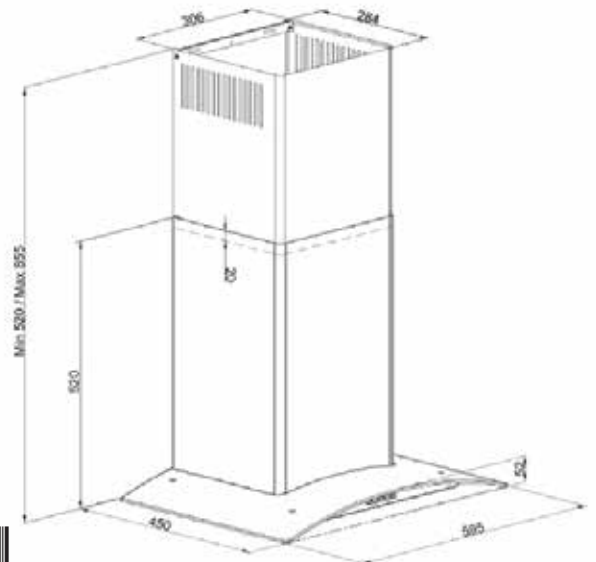
3 Speed
Setting

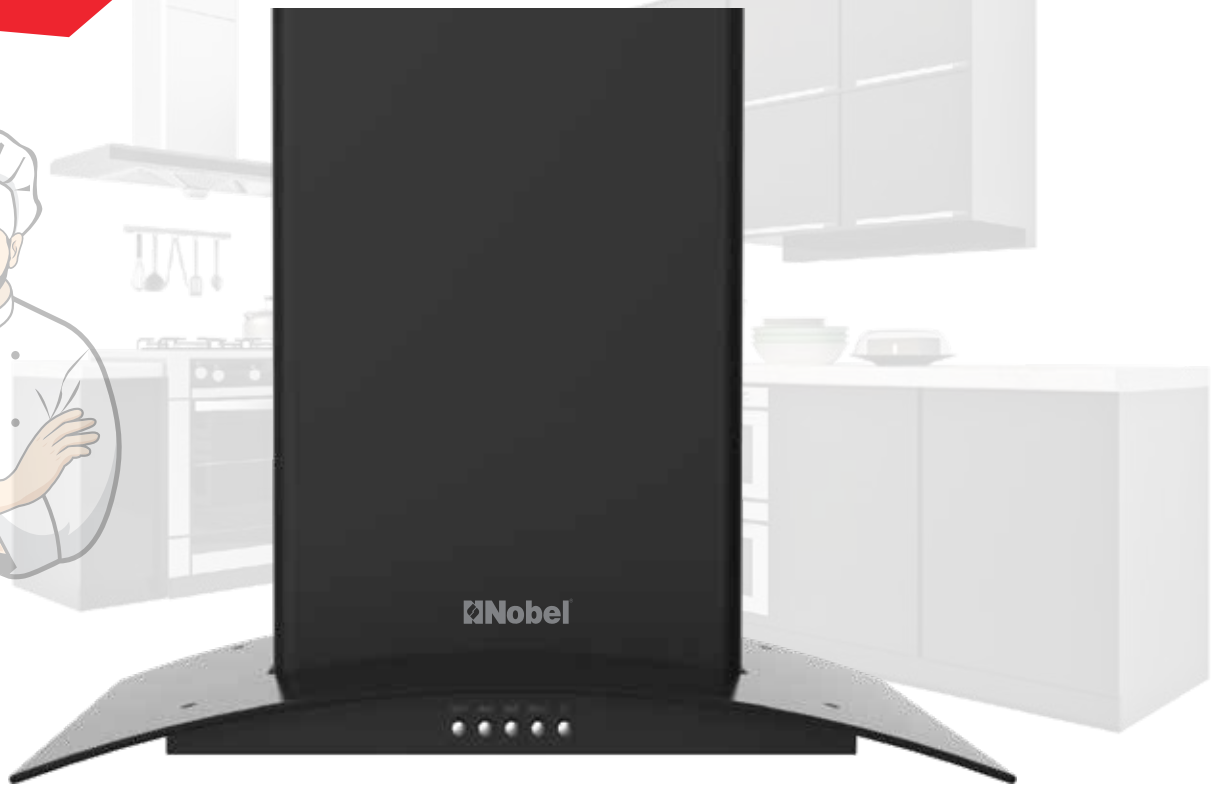
- Stainless Steel & Transparent Tempered Glass
- Mechanical Push Button Control
- 3 Speed Settings
- Performance M³/H 400 (3Spd)
- 58dba Noise Level
- 2 x 28W Halogen Light

PACKING DETAILS

Net Weight : 12.5 KG
Gross Weight : 14.0 KG
Product Dim. (WxDxH): 595x450x520 mm (min.)
Packing Dim. (WxDxH): 660x390x570 mm
Loading Capacity 40hq: 460

8630 - 8631





HOOBS

FEATURES

NBI8631CH



Built In Hood



Black &
Tempered Fume Glass



Noise Level
58dba



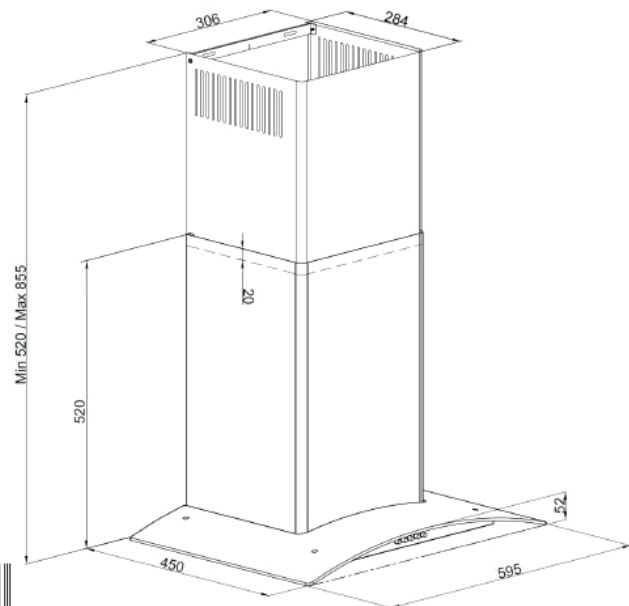
3 Speed
Setting

- Black & Tempered Fume Glass Finish
- Mechanical Push Button Control
- 3 Speed Settings
- Performance M³/H: 400 (3Spd)
- 58dba Noise Level
- 2 x 28W Halogen Light Type
- Dishwasher Safe Aluminum Cassette Filter

PACKING DETAILS

Net Weight : 12.5 KG
Gross Weight : 14.0 KG
Product Dim. (WxDxH): 595x450x520 mm (min.)
Packing Dim. (WxDxH): 660x390x570 mm
Loading Capacity 40hq : 460

8630 – 8631





HOOBS

FEATURES

NBI8634CH



Built In Hood



Black Finish
Body



Noise Level
58dba



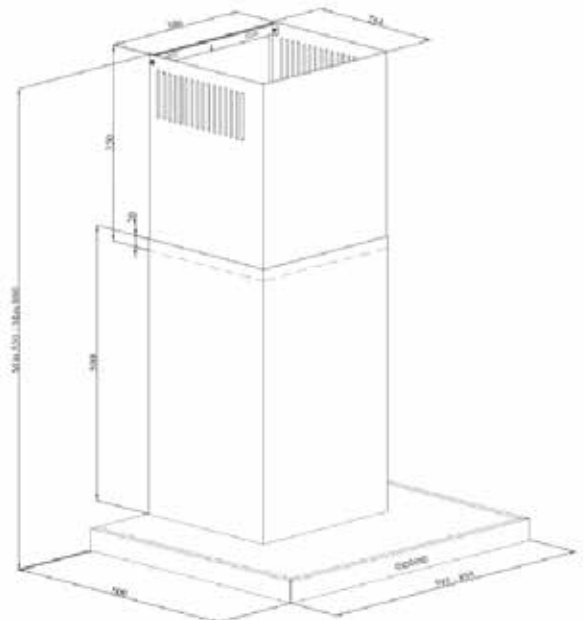
3 Speed
Setting

- Black Finish Body
- Mechanical Push Button Control
- 3 Speed Settings
- Performance M³/H 500 (3Spd)
- 58dba Noise Level
- 2 x 4W Spot Led Light Type
- Dishwasher Safe Aluminum Cassette Filter

PACKING DETAILS

Net Weight : 12.0 KG
Gross Weight : 13.5 KG
Product Dim.(WxDxH): 595x500x550mm(min.)
Packing Dim. (WxDxH): 660x390x570 mm
Loading Capacity 40hq : 460

8634 - 8934





HOOBS

FEATURES

NBI8652CH



Built In Hood



Stainless
Steel Body



Noise Level
60dba



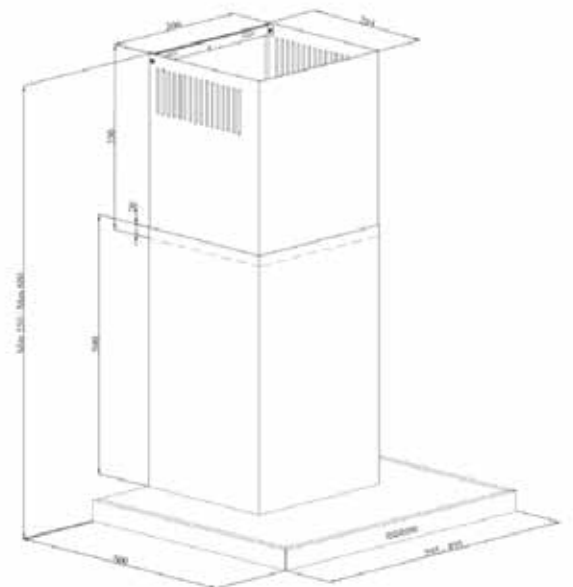
3 Speed
Setting

- Stainless Steel & Frontal Tempered Glass Finish
- Mechanical Pop-Up Knob Control
- 3 Speed Settings
- Performance M³/H 500 (3Spd)
- 60dba Noise Level
- 2 x 1W Led Light
- Dishwasher Safe Aluminum Cassette Filter

PACKING DETAILS

Net Weight : 13.0 KG
Gross Weight : 14.5 KG
Product Dim. (WxDxH): 596x450x505 mm (min.)
Packing Dim. (WxDxH): 660x390x570 mm
Loading Capacity 40hq : 767

8634 - 8934





HOOBS

FEATURES

NBi8658CH



Built In Hood



Tempered Black Glass & Aluminum Decor



Eco Touch Control Panel

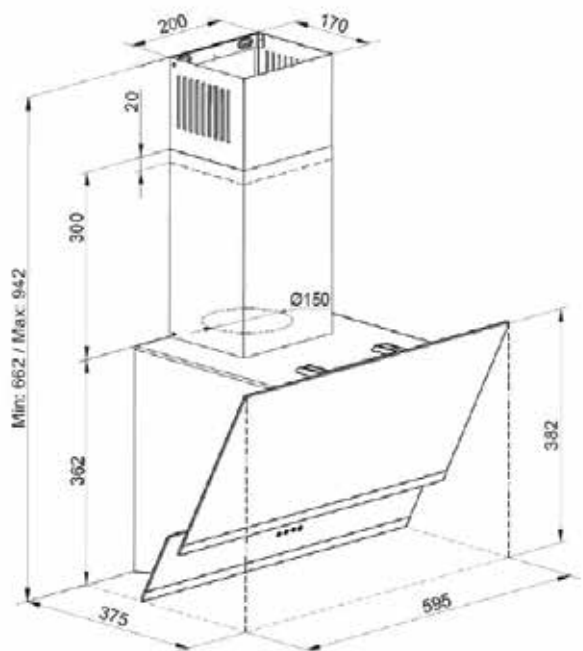


3 Speed Setting

- Tempered Black Glass & Aluminum Decor
- Eco Touch Control Panel
- Filter Saturation Indicator
- 3 Speed Settings
- Performance M³/H 500 (3Spd)
- 58dba Noise Level

PACKING DETAILS

Net Weight : 9.0 KG
 Gross Weight : 10.5 KG
 Product Dim. (WxDxH): 595x375x662 mm (min.)
 Packing Dim. (WxDxH): 650x400x480 mm
 Loading Capacity 40hq: 531





HOOBS

FEATURES

NBI8662CH



Built In Hood



Stainless
Steel Body



Noise Level
58dba

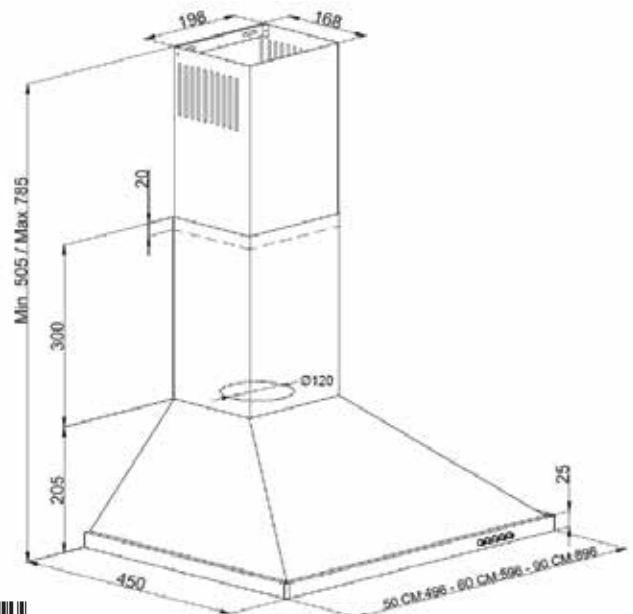


3 Speed
Setting

- Stainless Steel Body
- Mechanical Push Button Control
- 3 Speed Settings
- Performance M³/H 400 (3Spd)
- 58dba Noise Level
- 1 x 28W Halogen Light
- Dishwasher Safe Aluminum Cassette Filter

PACKING DETAILS

Net Weight : 6.5 KG
Gross Weight : 8.0 KG
Product Dim. (WxDxH): 595x500x550 mm (min.)
Packing Dim. (WxDxH): 620x260x510 mm





HOOBS

FEATURES

NBI8930CH



Built In Hood



Stainless
Steel Body



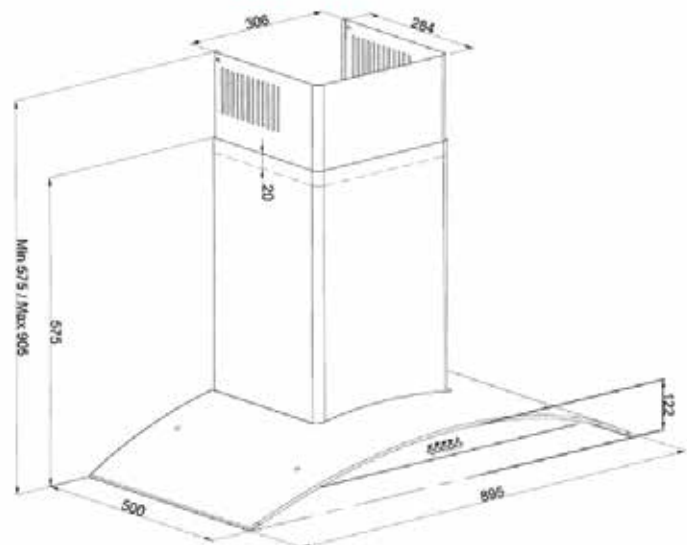
Noise Level
58dba



3 Speed
Setting

- Stainless Steel & Transparent Tempered Glass
- Mechanical Push Button Control
- 3 Speed Settings
- Performance M³/H 500 (3Spd)
- 58dba Noise Level
- 2 x 28W Halogen Light

8930 - 8931

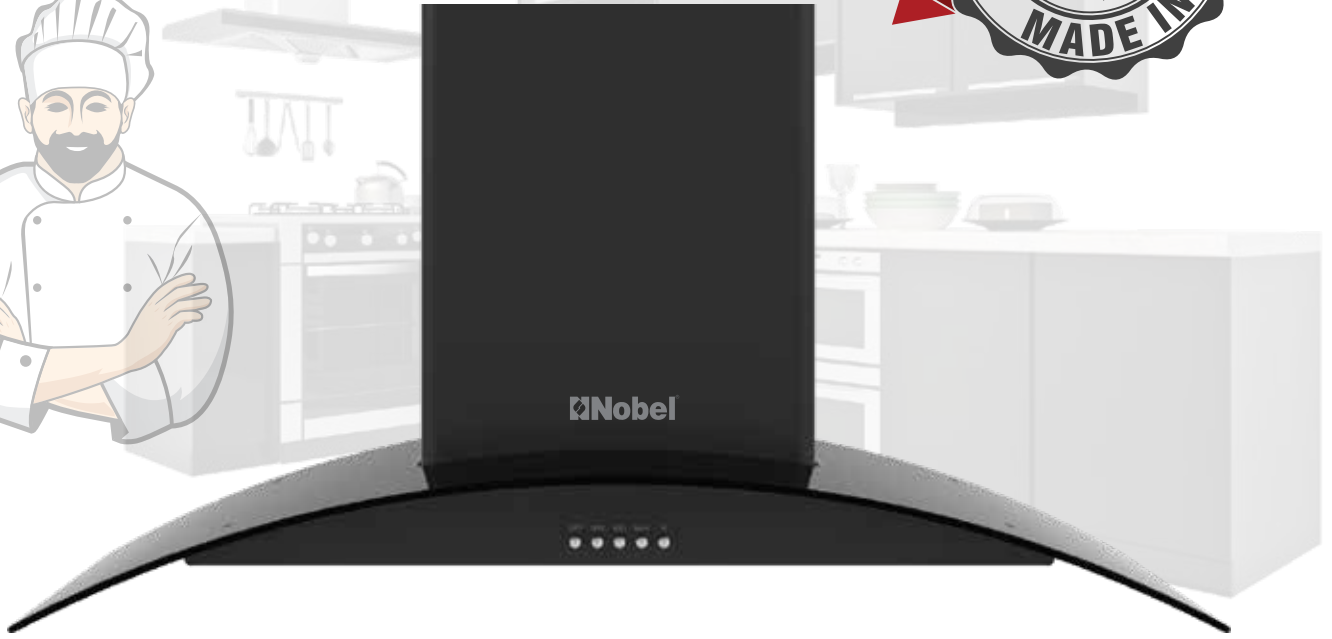


PACKING DETAILS

Net Weight : 15.5 KG
Gross Weight : 17.5 KG

Product Dim. (WxDxH): 895x500x575 mm (min.)
Packing Dim. (WxDxH): 990x495x650 mm
Loading Capacity 40hq: 216





HOOD

FEATURES

NBI8931CH



Built In Hood



Black &
Tempered Fume Glass



Noise Level
58dba

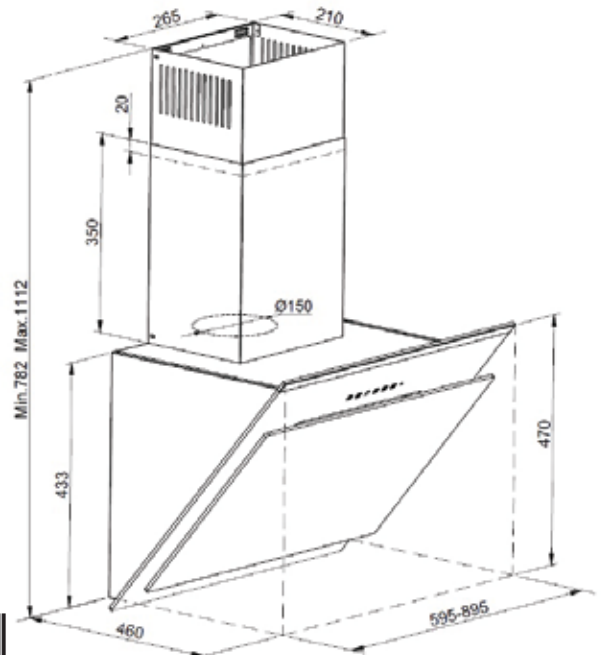


3 Speed
Setting

- 90 cm Built-in Chimney
- 3 Spin Motor
- Mechanical Push Button Control Silver
- Matt Black Control Panel
- Body and Chimney
- Double Chimney
- Carbon Filter, Alm Filter x2
- LED Light
- 500 m³/H Vacuum Power
- 220-240V~,50/60Hz

PACKING DETAILS

Net Weight : 15.5 KG
Gross Weight : 17.5 KG
Product Dim. (WxDxH): 895x500x575 mm (min.)
Packing Dim. (WxDxH): 990x495x650 mm
Loading Capacity 40hq: 192





HOOBS

FEATURES

NBI8934CH



Built In Hood



Black Finish
Body



Noise Level
58dba

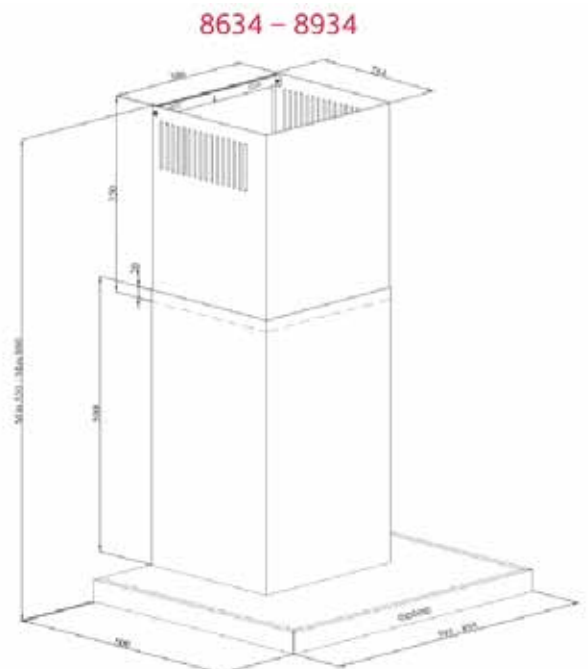


3 Speed
Setting

- Black Finish Body
- Mechanical Push Button Control
- 3 Speed Settings
- Performance M³/H 500 (3Spd)
- 58dba Noise Level
- 2 x 4W Spot Led Light Type
- Dishwasher Safe Aluminum Cassette Filter

PACKING DETAILS

Net Weight : 15.5 KG
Gross Weight : 17.5 KG
Product Dim. (WxDxH): 895x500x550 mm (min.)
Packing Dim. (WxDxH): 660x390x570 mm
Loading Capacity 40hq : 216





HOOBS

FEATURES

NBi8939CH



Built In Hood



Tempered Black Glass & Inox Finish



Digital Touch Control Panel

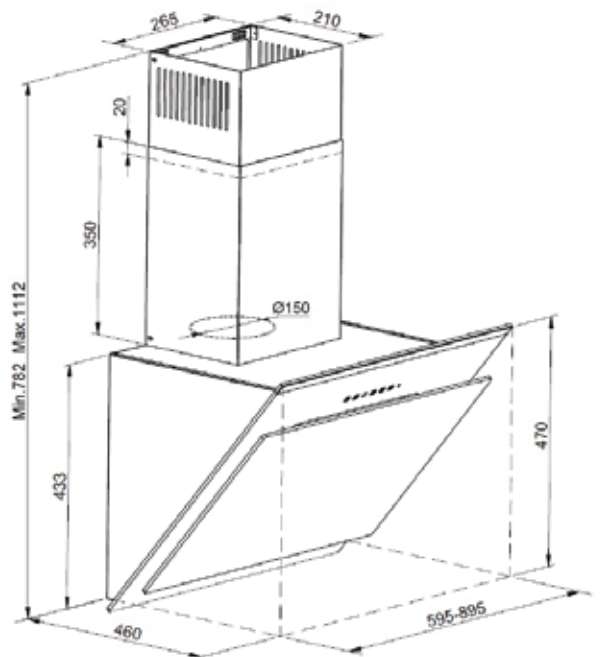


3 Speed Setting

- Tempered Black Glass & Inox Finish
- Slim Stripe
- Digital Touch Control Panel
- Filter Saturation Indicator Timer
- Clean Air Technology
- 3 Speed Settings
- Performance M³/H 500

PACKING DETAILS

Net Weight : 28.5 KG
Gross Weight : 31.0 KG
Product Dim. (WxDxH): 895x460x782 mm (min.)
Packing Dim. (WxDxH): 990x550x550 mm
Loading Capacity 40hq : 216





HOOD

FEATURES

NBI8952CH



Built In Hood



Stainless
Steel Body



Noise Level
60dba



3 Speed
Setting

- 90 cm Built-in Chimney
- 3 Spin Motor
- Pop Up Control Type
- Black Glass Control Panel
- Stainless Body and Chimney
- Carbon Filter
- Alm Filter x3
- LED Light
- 500 m³/H Vacuum Power
- 220-240V~,50/60Hz
- BS Plug

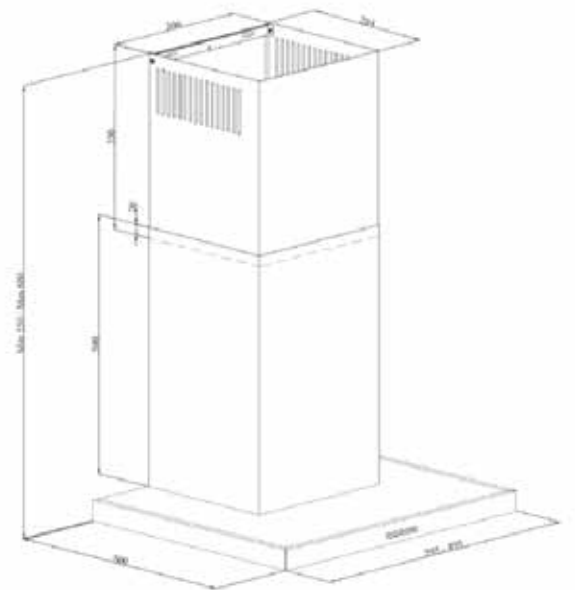
PACKING DETAILS

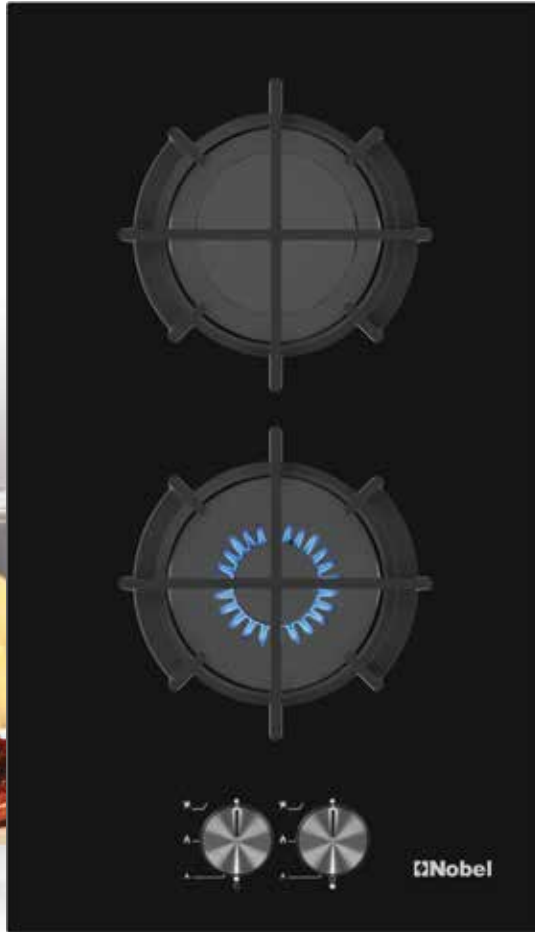
Net Weight : 15.5 KG
Gross Weight : 17.5 KG
Product Dim. (WxDxH): 896x450x505 mm (min.)
Packing Dim. (WxDxH): 990x495x650 mm
Loading Capacity 40hq : 216



6 2 9 1 1 0 1 6 9 3 7 5 6

8634 - 8934





BUILT IN
HOBS

FEATURES

NBH2101GH



Gas Build
In Hob



Tempered
Ceramic Glass



Flame Failure
Device

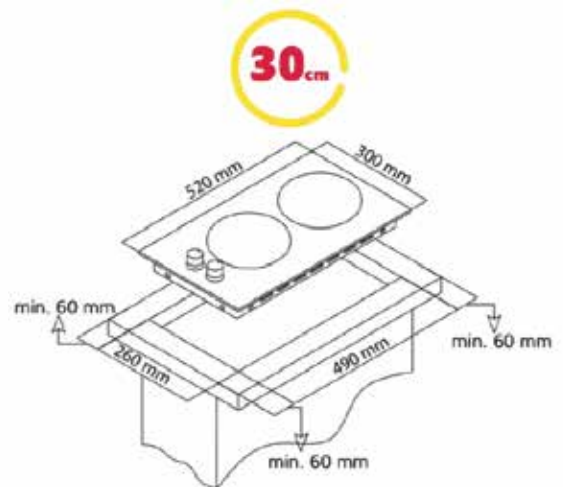


Gas on Glass
Build In Hob

- 30 cm Built-in - Hobs
- Black Glass Top Plate
- Front Control Panel
- Cast-Iron Round (P09) Pan Support
- Flat Enamelled Matt Burner Caps
- 2 Knobs
- Front & Rear
- Automatic Ignition from Knobs
- FFD, 3850W Max
- UK Plug

PACKING DETAILS

Net Weight : 6.60 KG
Gross Weight : 7.60 KG
Product Dimensions (WxDxH): 300x520x118,5 mm
Cut-Out Dimensions (WxDxH): 255x490 mm
Packing Dimensions (WxDxH): 350x570x150 mm
Loading Capacity 40hq : 2244



Cut Out WxD: 260x490





HOBS

FEATURES

NBH3202SSH



Gas Built
In Hobs



Stainless
Steel



2 Gas Burners

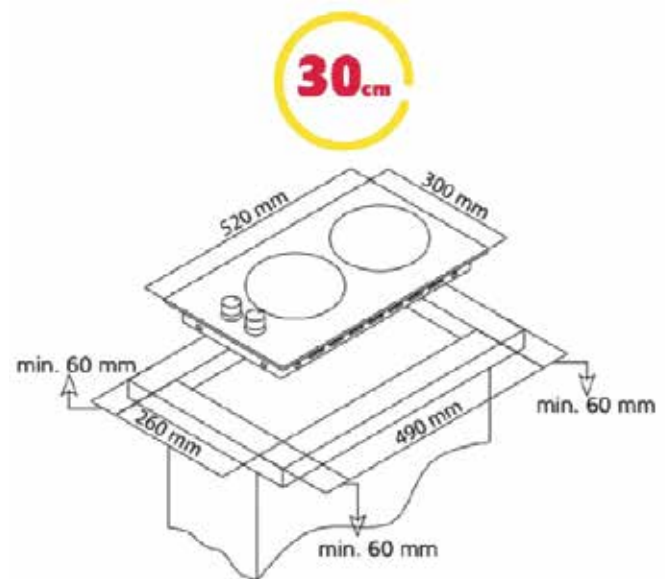


Flame Failure
Device

- Stainless Steel Gas Built In Hob
- Cast-iron, Monoblock (P06)
- Flame Failure Device
- Automatic from Knobs
- Inox Capped Knobs
- Hob Series- Flat

PACKING DETAILS

Net Weight : 7.20 KG
Gross Weight : 8.20 KG
Product Dimensions (WxDxH): 290x510x92 mm
Cut-Out Dimensions (WxDxH): 255x490 mm
Packing Dimensions (WxDxH): 350x570x150 mm
Loading Capacity 40hq : 2244



Cut Out WxD: 260x490



**BULTIN
HOBS**

FEATURES

NBH6040SSH



Electric Build
In Hobs



Stainless
Steel



4 Electric
Hot Plate

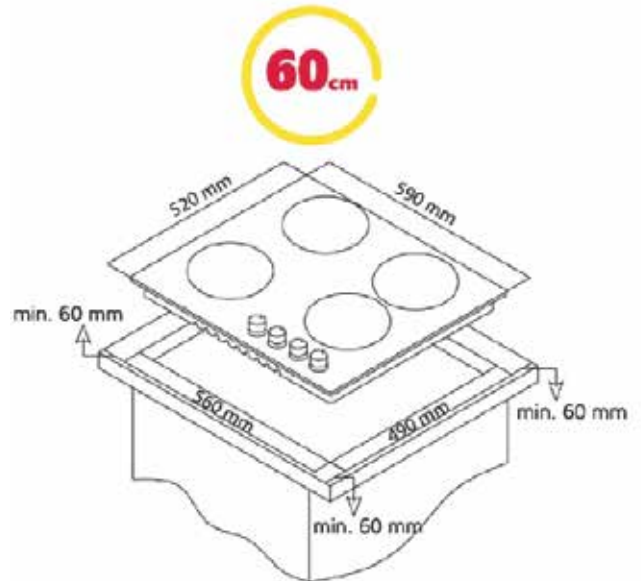


1000W X 2
1500W X 2
Hot Plate

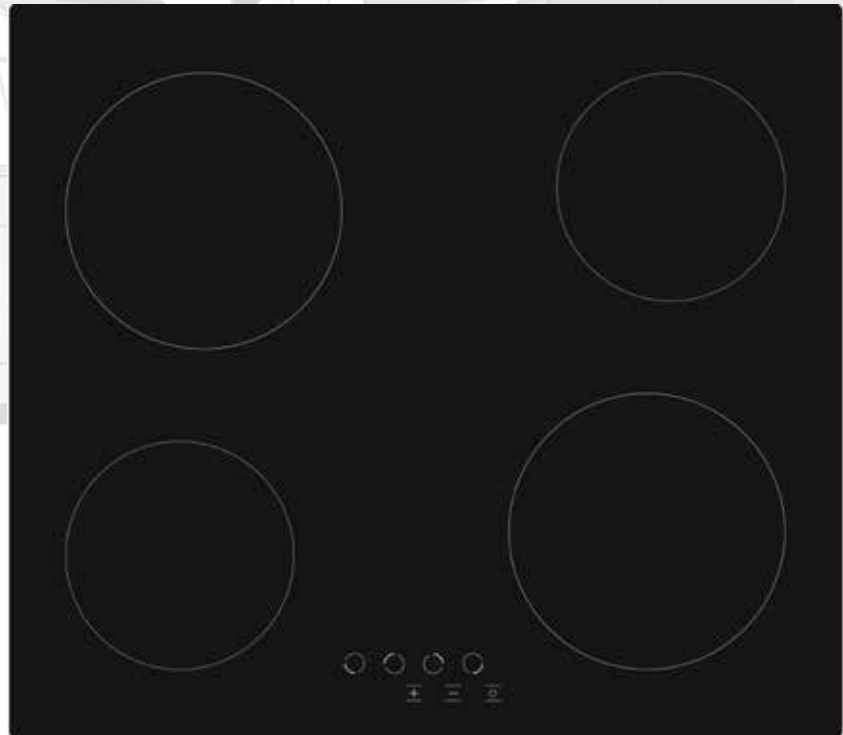
- Bultin - Hobs (Hotplate)
- Stainless Steel Top Plate
- Side Control Panel Knobs
- 4 Knobs Electric
- 5000W Max
- Clemens Box

PACKING DETAILS

Net Weight : 9.80 KG
Gross Weight : 10.80 KG
Product Dimensions (WxDxH): 510x580x92 mm
Cut-Out Dimensions (WxDxH): 560x490 mm
Packing Dimensions (WxDxH): 620x570x130 mm
Loading Capacity 40hq : 1368



Cut Out WxD: 560x490



BULTIN
HOBS

FEATURES

NBH6041VH



Electric
Vitroceramic
Built In Hob



4 Hi-Light
Heater
Zones

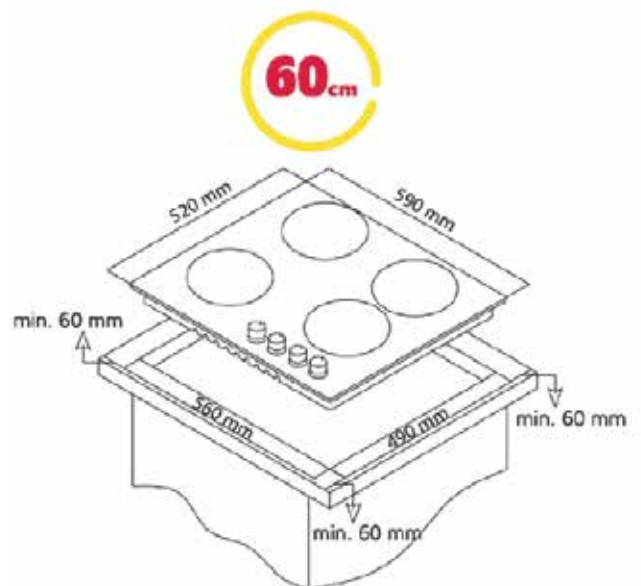


Safety Lock

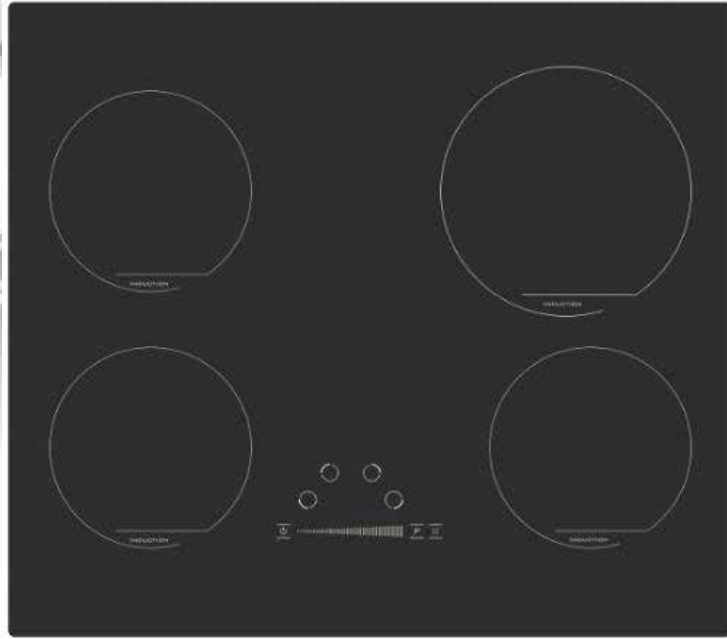
- 60 cm Vitro Ceramic Built in Hobs (Flat Plate)
- Black Ceran Glass Top
- Front Touch Control Panel
- Led Illuminated Touch Panel
- Child Safety Lock
- Automatic Safety Cut-Out
- On Off Button with Hot Surface Alert Feature
- Easy Cleanable High-Resistance Glass Surface
- 9-Power Stages On Each Cook Zone
- 220-240V~380-415V~,50/60Hz
- 6000W Max

PACKING DETAILS

Net Weight : 7.80 KG
Gross Weight : 8.70 KG
Product Dimensions (WxDxH): 517x588x62 mm
Cut-Out Dimensions (WxDxH): 560x490 mm
Packing Dimensions (WxDxH): 630x570x100 mm
Loading Capacity 40hq : 1672



Cut Out WxD: 560x490



HOBS

FEATURES

NBH6044IND

- 60cm INDUCTION
- Flat Hob Series
- Black Induction Glass
- Front, Touch (Slider Control)
- Led Illuminated Touch Panel
- Child Safety Lock
- Automatic Safety cut-out
- On Off Button with Hot Surface Alert Feature
- Easy Cleanable High-Resistance Glass Surface
- 9-Power Stages on each Cook Zone
- 220-240V AC/ 380-415V 2N AC, 50-60Hz, 7.2kW
- 6000W Hob Max. Power



Electric Build
In Hob



Tempered
Ceramic Glass

PACKING DETAILS

Net Weight : 7.80 KG
Gross Weight : 8.70 KG
Product Dimensions (WxDxH): 520x590x55
Packing Dimensions (WxDxH): 541x640x116
Loading Capacity 40hq : 1700





HOBS

FEATURES

NBH6311VH



Gas+Vitreoceramic
on Glass Built In Hob



Tempered
Ceramic Glass



3 Gas Burners
+1 Hi-Light
Heater Zone

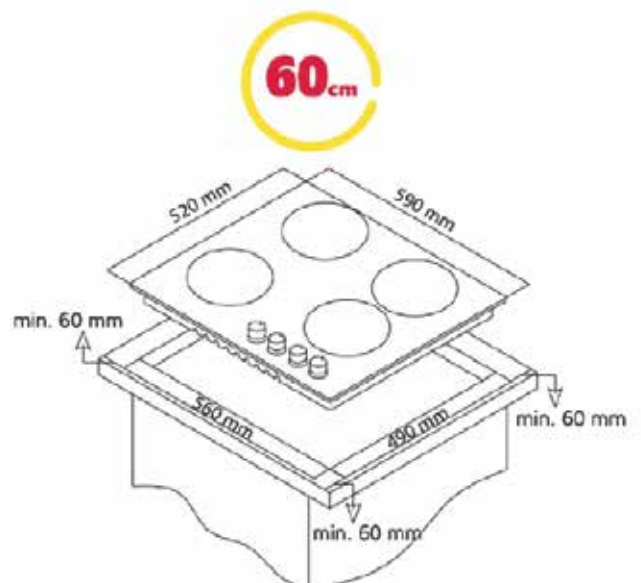


Flame Failure
Device

- 60cm
- Gas+Vitreoceramic on Glass Built In Hob
- Tempered Ceramic Glass
- Euro Pool Type 3 Gas Burners
- Flame Failure Device
- 1 Hi-Light Heater Zone
- 9 Power Levels For Heater Zone
- Automatic Safety Cut Out

PACKING DETAILS

Net Weight : 14.50 KG
Gross Weight : 15.80 KG
Product Dimensions (WxDxH): 520x590x107 mm
Cut-Out Dimensions (WxDxH): 560x490 mm
Packing Dimensions (WxDxH): 635x615x160 mm
Loading Capacity 40hq : 986



Cut Out WxD: 560x490



HOBS

FEATURES

NBH6400SSH



Gas Built
In Hobs



Stainless
Steel



Euro Pool Type
4 Gas Burners

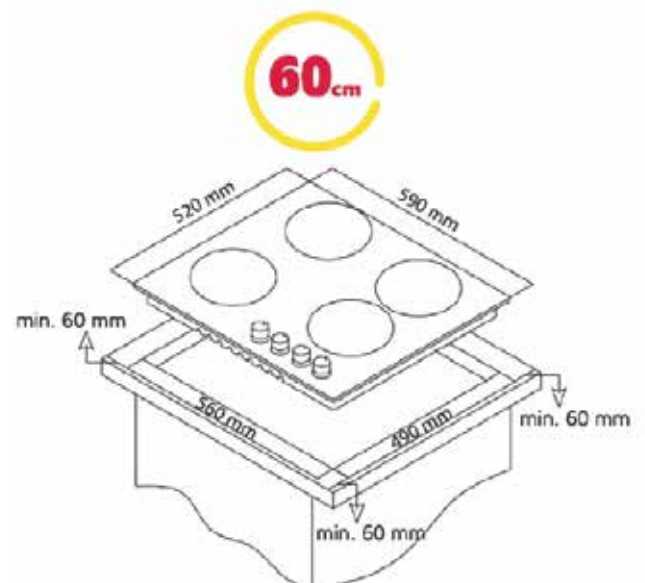


Flame Failure
Device

- Stainless Steel Gas Built In Hob
- Euro Pool Type 4 Gas Burners
- Flame Failure Device
- Enamelled Pan Supports
- Under Knob Auto Ignition
- Inox Capped Knobs
- Front Control

PACKING DETAILS

Net Weight : 8.60 KG
Gross Weight : 10.80 KG
Product Dimensions (WxDxH): 510x580x100 mm
Cut-Out Dimensions (WxDxH): 560x490 mm
Packing Dimensions (WxDxH): 635x615x160 mm
Loading Capacity 40hq : 986



Cut Out WxD: 560x490



BUILT-IN HOBS

FEATURES

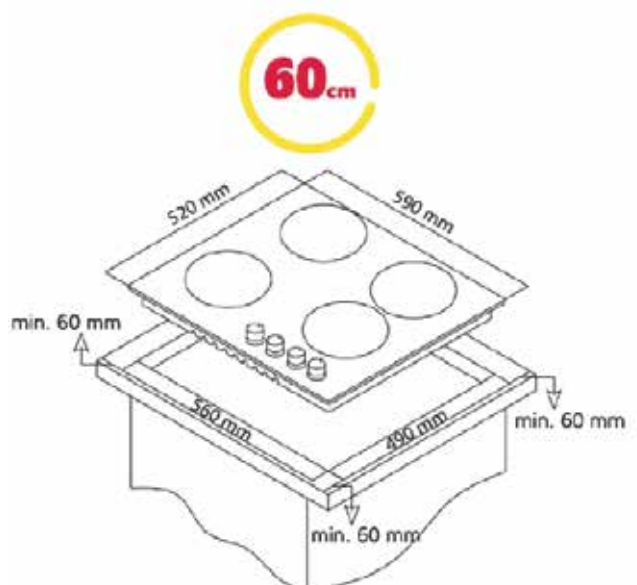
NBH6401SSH



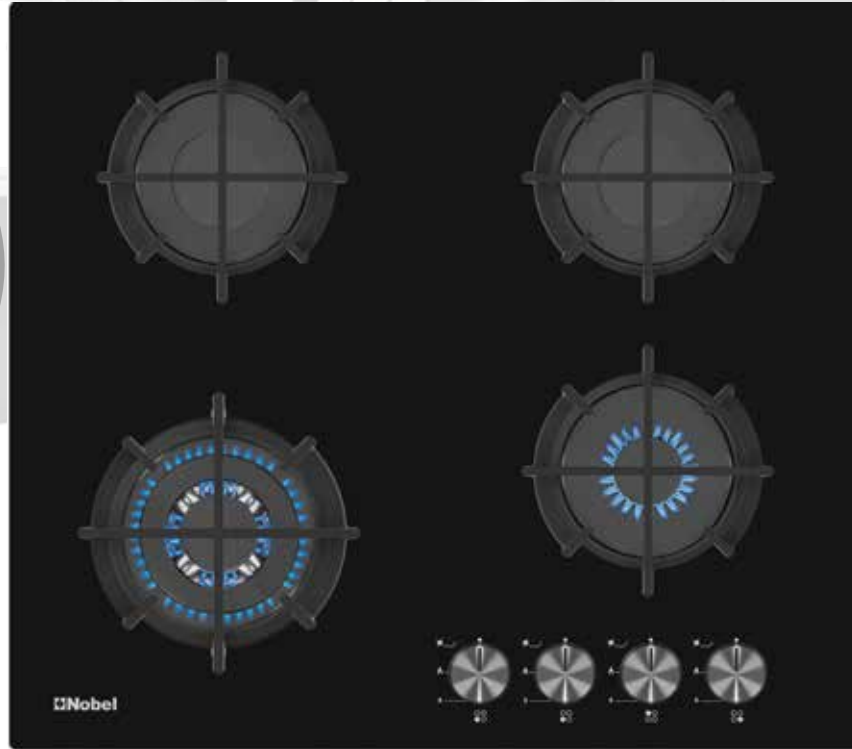
- 60 cm Builtin - Hobs (Hotplate)
- Stainless Steel Top Plate
- Front Control Panel
- Cast-Iron
- Monoblock (P06) Pun Support
- Flat Enamelled Matt Burner Caps
- 4 Gas Burner
- Automatic Ignition from Knobs & Flat
- Enamelled, Matt Burner Caps
- FFD, 7250W Max
- BS Plug

PACKING DETAILS

Net Weight : 14.60 KG
Gross Weight : 15.80 KG
Product Dimensions (WxDxH): 510x580x100 mm
Cut-Out Dimensions (WxDxH): 560x490 mm
Packing Dimensions (WxDxH): 635x615x160 mm
Loading Capacity 40hq : 1064



Cut Out WxD: 560x490



HOBS

FEATURES

NBH6402GH



Gas on Glass
Built In Hob



Tempered
Ceramic Glass



Euro Pool Type
4 Gas Burners

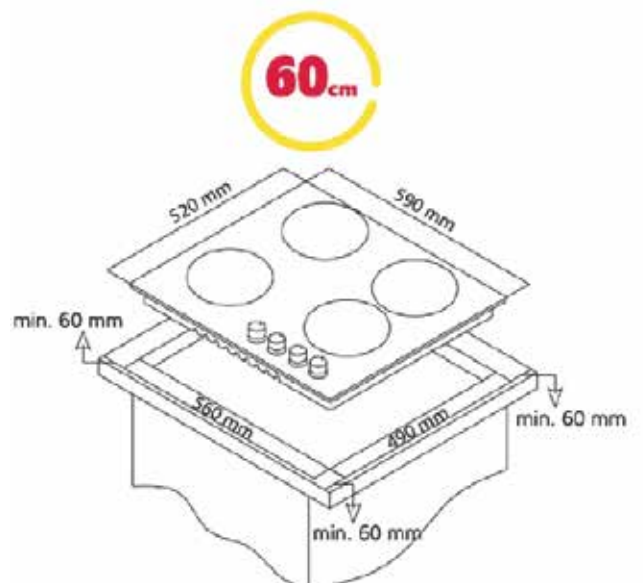


Flame Failure
Device

- 60 cm Builtin - Hobs
- Black Galss Top Plate, Front Control Panel
- Cast-iron Raund (P09) Pun Support
- Flat Enamelled Matt Burner Caps
- 4 Gas Burner, Triple Wok Front left
- Automatic Ignition from Knobs
- FFD, 7250W Max

PACKING DETAILS

Net Weight : 12.00 KG
Gross Weight : 13.30 KG
Product Dimensions (WxDxH): 520x590x108.5 mm
Cut-Out Dimensions (WxDxH): 560x490 mm
Packing Dimensions (WxDxH): 635x615x160 mm
Loading Capacity 40hq : 986



Cut Out WxD: 560x490



Built-in HOBS

FEATURES

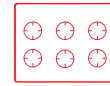
NBH9501SSH



Gas Built
In Hobs



Stainless
Steel

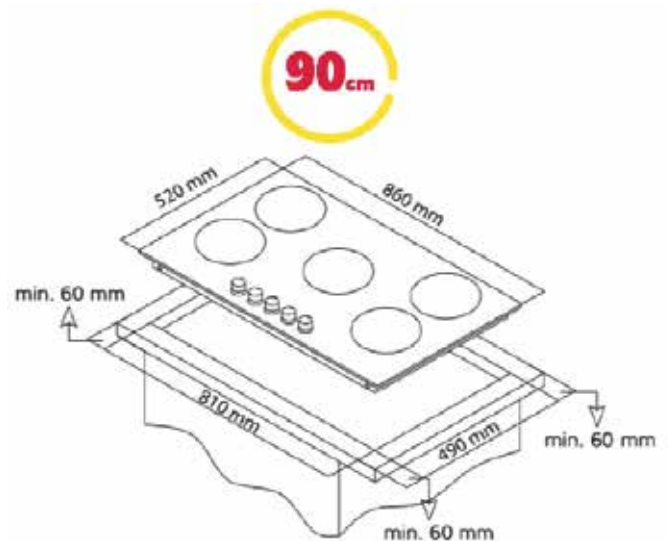


2 Gas Burners
+ 3 Hot Plates

- 90 cm Built-in - Hobs
- Stainless Steel Top Plate
- Front Control Panel
- Cast-Iron
- Monoblock (P05) Pun Support
- Flat Enamelled Matt Burner Caps
- 2 Gas Burners & 3 Hotplates
- Triple Wok Middle
- Automatic Ignition from Knobs
- FFD, 10850W Max
- BS Plug

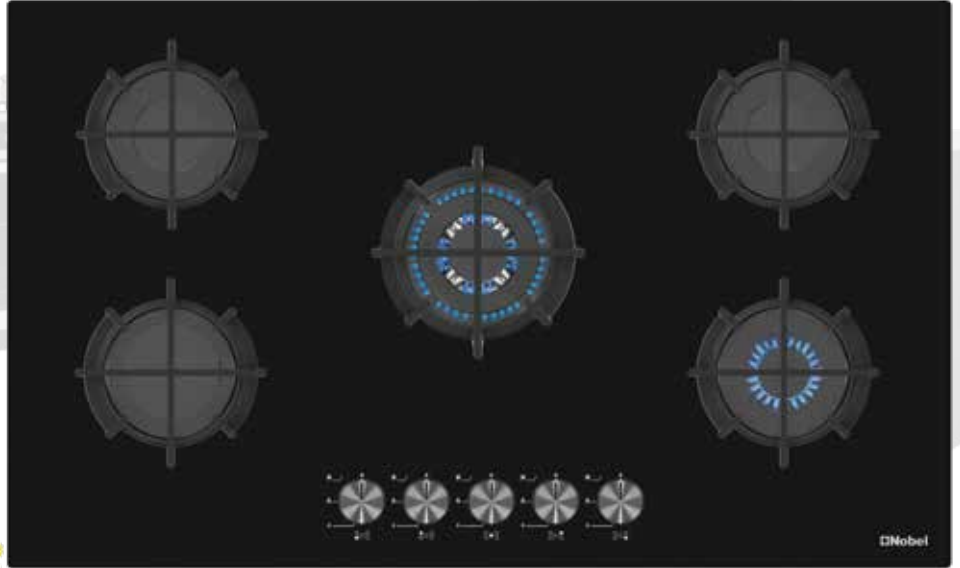
PACKING DETAILS

Net Weight : 17.50 KG
Gross Weight : 19.50 KG
Product Dimensions (WxDxH): 510x860x1035 mm
Cut-Out Dimensions (WxDxH): 810x490 mm
Packing Dimensions (WxDxH): 900x610x155 mm
Loading Capacity 40hq : 720



Cut Out WxD: 810x490





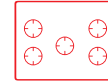
Built-in HOBS

FEATURES

NBH9502GH



Gas Build In Hobs



5 Gas Burners

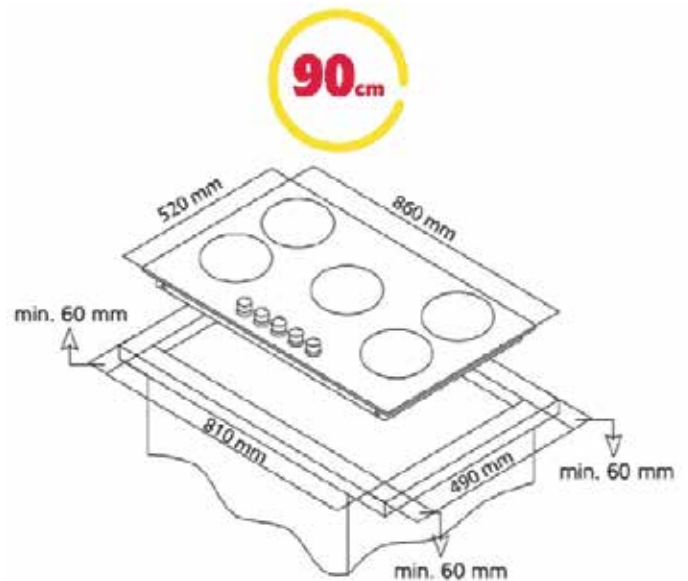


Flame Failure Device

- 90 cm Builtin - Hobs
- Black Galss Top Plate
- Front Control Panel
- Cast-Iron Monoblock (P09) Pun Support
- Flat Enamelled Matt Burner Caps
- 5 Gas Burners
- Triple Wok Middle
- Automatic Ignition from Knobs
- FFD, 10850W Max

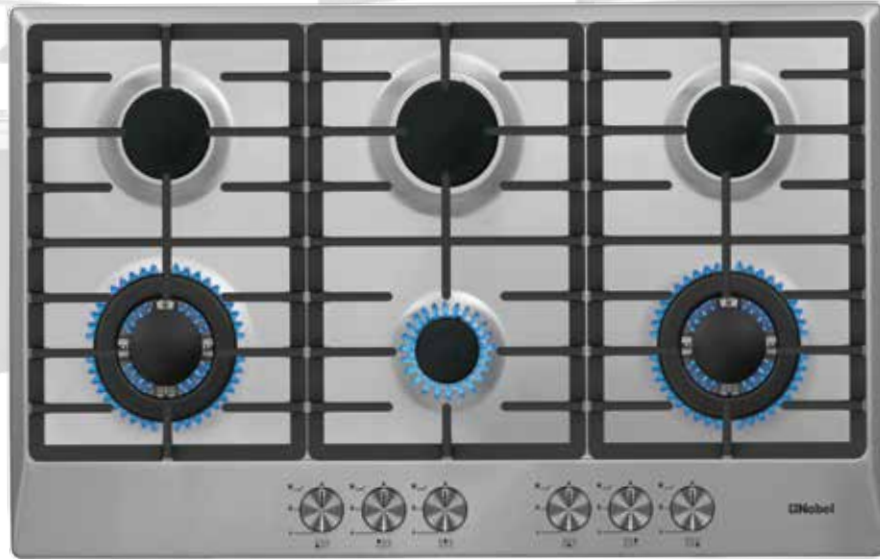
PACKING DETAILS

Net Weight : 17.00 KG
 Gross Weight : 19.00 KG
 Product Dimensions (WxDxH): 520x860x120.5 mm
 Cut-Out Dimensions (WxDxH): 810x490 mm
 Packing Dimensions (WxDxH): 900x610x155 mm
 Loading Capacity 40hq : 720



Cut Out WxD: 810x490





HOBS

FEATURES

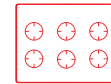
NBH9605SSH



Built-in
Hobs



Stainless
Steel



6 Gas Burners

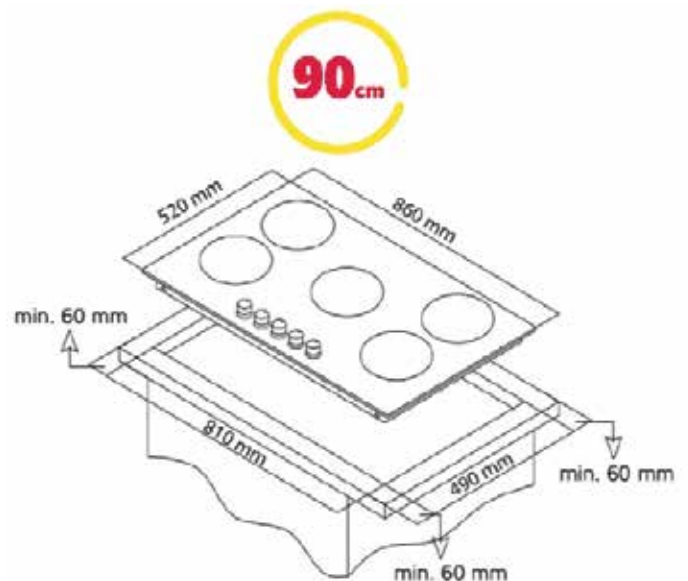


Flame Failure
Device

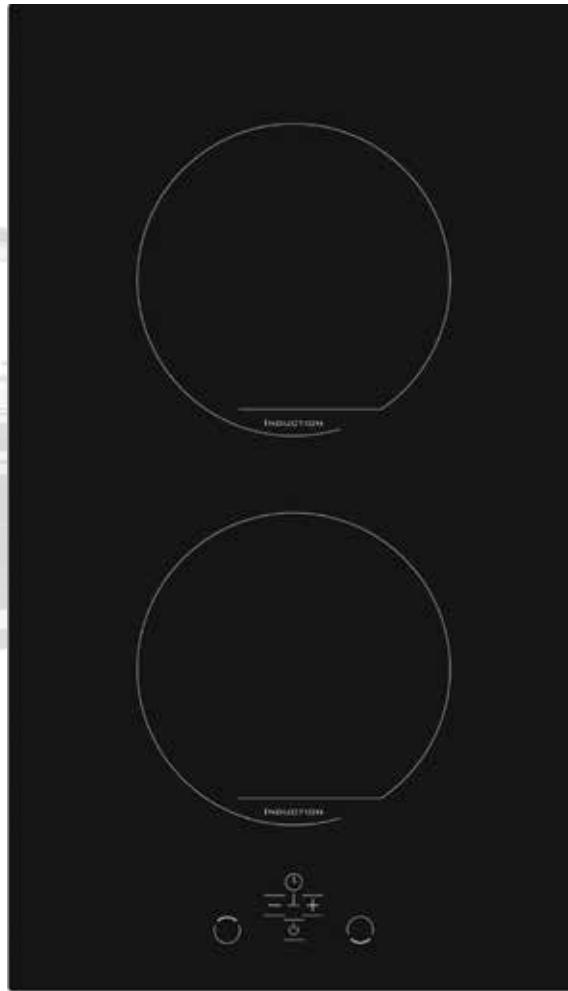
- 90 cm Built-in Hobs
- Stainless Steel Top Plate
- Front Control Panel
- Cast-Iron Monoblock (P06) Pun Support
- Flat Enamelled Matt Burner Caps
- 6 Gas Burner
- Front Right & Left Triple Wok
- Automatic Ignition from Knobs
- FFD, 14450W Max
- BS Plug

PACKING DETAILS

Net Weight : 18.00 KG
Gross Weight : 20.00 KG
Product Dimensions (WxDxH): 510x860x150 mm
Cut-Out Dimensions (WxDxH): 810x490 mm
Packing Dimensions (WxDxH): 900x610x155 mm
Loading Capacity 40hq : 720



Cut Out WxD: 810x490



HOBS

FEATURES

NBI3020I



Electric Build
In Hobs



Tempered
Ceramic Glass



2 Induction
Cooking Zones

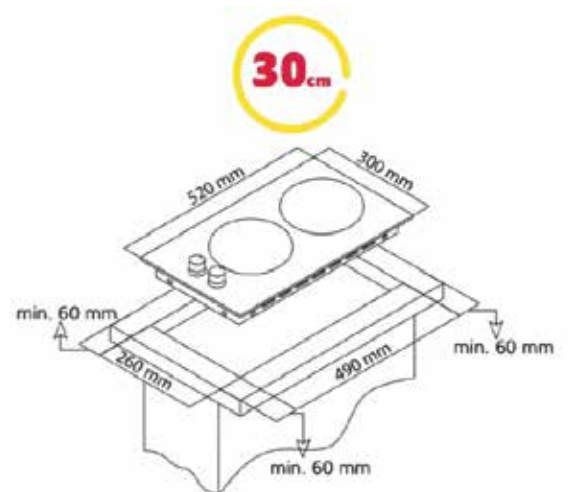


Touch
Control

- 2 Induction Cooking Zones
- Tempered Ceramic Glass
- Touch Control
- 9 Power Levels
- Residual Heat Indicators
- Safety Lock

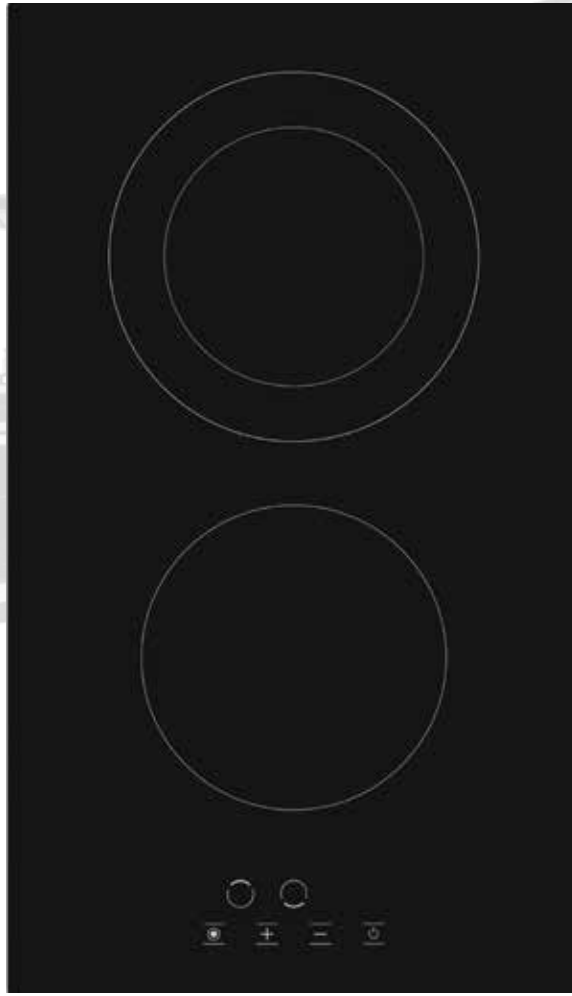
PACKING DETAILS

Net Weight : 4.00 KG
Gross Weight : 4.85 KG
Product Dimensions (WxDxH): 298x517x62 mm
Cut-Out Dimensions (WxDxH): 255x490 mm
Packing Dimensions (WxDxH): 340x570x100 mm
Loading Capacity 40hq : 2300



Cut Out WxD: 260x490





HOBS

FEATURES

NBI3020V



Electric Built
In Hobs



Tempered
Ceramic Glass



2 Hi-Light
Heater Zones

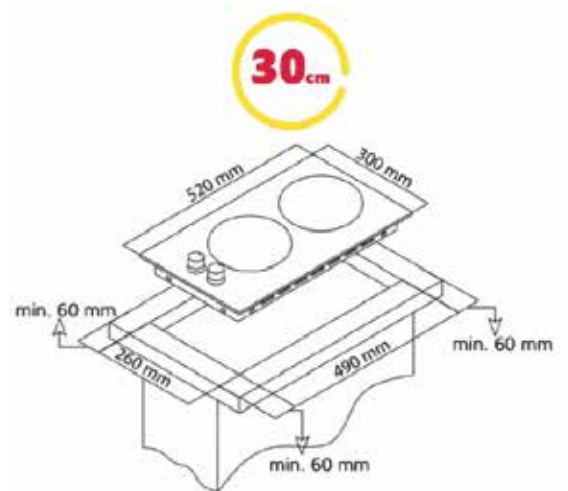


Touch
Control

- 30 cm Vitro Ceramic Built in Hobs
- Black Ceran Glass Top
- Front Touch Control Panel
- Led Illuminated Touch Panel
- Automatic Safety cut-out
- On Off Button with Hot Surface Alert Feature
- Easy Cleanable High-Resistance Glass Surface
- 9-Power Stages on each Cook Zone
- 2900W Max
- 220-240V~,50/60Hz

PACKING DETAILS

Net Weight : 4.00 KG
Gross Weight : 4.85 KG
Product Dimensions (WxDxH): 298x517x62 mm
Cut-Out Dimensions (WxDxH): 255x490 mm
Packing Dimensions (WxDxH): 340x570x100 mm
Loading Capacity 40hq : 2300



Cut Out WxD: 260x490





HOBS

FEATURES

NBI3021HH



Electric Built
In Hobs



Stainless
Steel



2 Electric Hot
Plate Zones

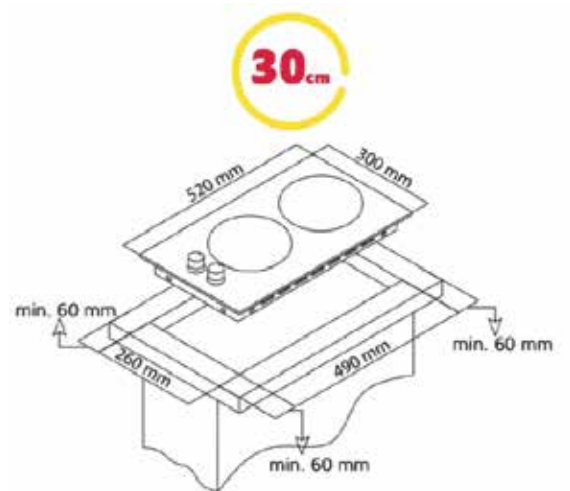


2500W

- 30 cm Electric Built-in Hobs
- Stainless Steel Top Plate
- Inox Knob Control, Front Control
- Stainless Steel Top Plate
- 2 Knobs, Front & Rear
- 2500W Max
- 220-240V~,50/60Hz

PACKING DETAILS

Net Weight : 5.20 KG
Gross Weight : 6.20 KG
Product Dimensions (WxDxH): 290x510x92 mm
Cut-Out Dimensions (WxDxH): 255x490 mm
Packing Dimensions (WxDxH): 350x570x150 mm
Loading Capacity 40hq : 2244



Cut Out WxD: 260x490





HOOD

FEATURES

NBi8962CH



Built In Hood



Stainless
Steel Finish Body



Noise Level
58dba

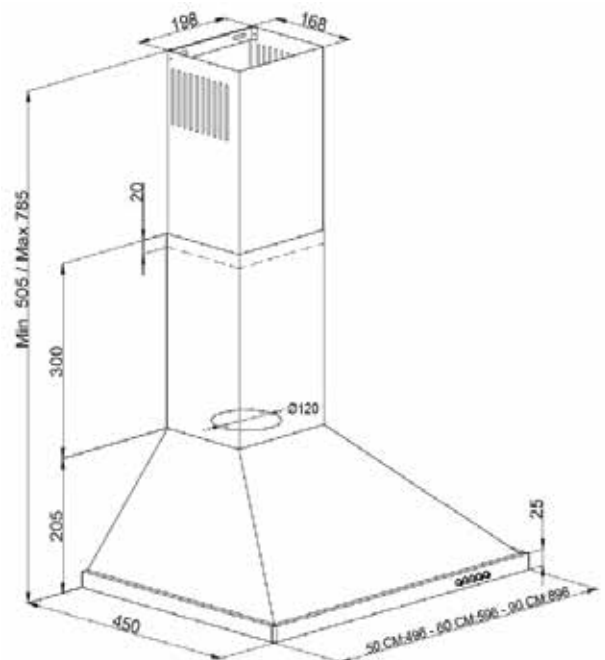


3 Speed
Setting

- Stainless Steel Finish Body
- Mechanical Push Button Control
- 3 Speed Settings
- Performance M³/H 500 (3Spd)
- 58dba Noise Level
- 1 x 1.5W LED Light
- Dishwasher Safe Aluminum Cassette Filter

PACKING DETAILS

Net Weight : 9.0 KG
Gross Weight : 10.5 KG
Product Dim. (WxDxH): 895x500x550 mm (min.)
Packing Dim. (WxDxH): 985x295x540 mm
Loading Capacity 40hq : 431





**BUILT-IN
OVEN**

FEATURES

NBIG1080



Electric Oven



Inner Lamp

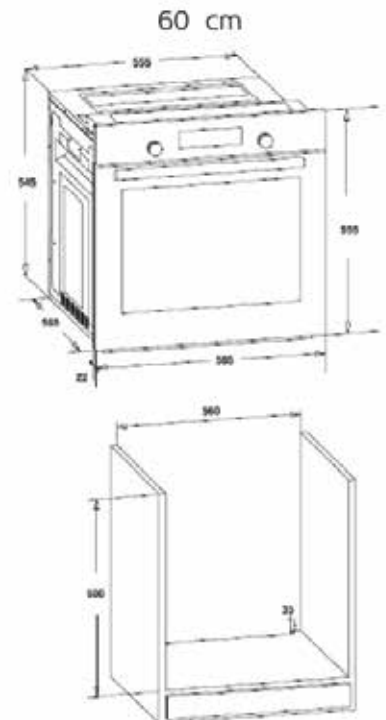
- 60cm Electric Built-In Oven
- 62 Liters
- Tempered Black Glass Front Door
- Electric (1200W) Oven
- Electric (1000W) Grill
- Mechanical Timer
- Thermostatic Control
- Double Glazed, Full inner Glass without frame Easy Remove
- Low-E (Thermo-reflective) Inner Glass Type
- Raund - Back (15W) Light
- Turnspit (6W)
- Embossed, Enamelled Easy Clean Cavity

PACKING DETAILS

Net Weight : 29 Kg
Gross Weight : 31 Kg
Product Dimensions (WxDxH): 595 x 565 x 595 mm
Packing Dimensions (WxDxH): 620 x 640 x 650mm
Loading Capacity 40hq : 228



6 2 9 1 1 0 1 6 9 3 8 9 3





**BUILT-IN
OVEN**

FEATURES

NBI61020



Gas Oven



Inner Lamp



Auto Cooling
Fan



Enamelled &
Shiny Surface

- 60cm Gas Built-in Oven
- 56 Litres
- Mechanical Timer, Inner Lamp
- Tempered Black Glass Front Door
- Stainless Steel Control Panel
- Double Glazed Oven Door with Full Inner Glass
- 1 Knob Oven Control
- Auto Ignition & Thermostatic Control
- Gas Oven & Grill, Auto Cooling Fan
- Closed Door Grilling
- Detachable Side Wire Racks, FFD
- 220-240V~,50/60Hz

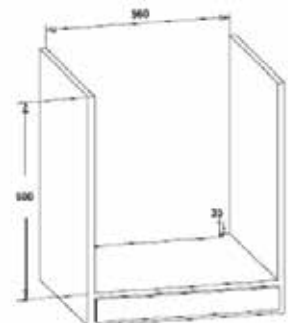
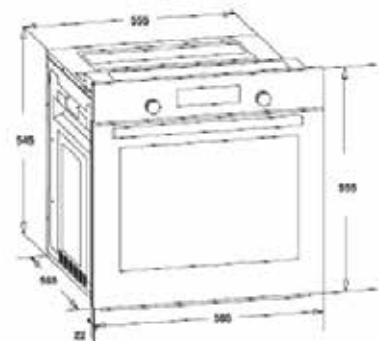
PACKING DETAILS

Net Weight : 32.5 Kg
Gross Weight : 34.5 Kg
Product Dimensions (WxDxH): 595x565x595 mm
Cut-Out Dimensions (WxDxH): 560x550x590 mm
Packing Dimensions (WxDxH): 620x640x650 mm
Loading Capacity 40hq : 228



6 2 9 1 1 0 1 6 9 2 3 9 1

60 cm





**BUILT-IN
OVEN**

FEATURES

NBI61040



Electric Oven



Inner Lamp



Enamelled &
Shiny Surface

- 60cm Electric Built-in Oven
- 62 Litres
- Mechanical Timer, Inner Lamp
- Tempered Black Glass Front Door
- Stainless Steel Control Panel
- Double Glazed Oven Door with Full Inner Glass
- 0+3 Functions Oven Control & Thermostatic Control
- Electric Oven & Grill
- Auto Cooling Fan, Closed Door Grilling
- 220-240V~,50/60Hz
- BS Plug

PACKING DETAILS

Net Weight : 29 Kg

Gross Weight : 31 Kg

Product Dimensions (WxDxH): 595x565x595 mm

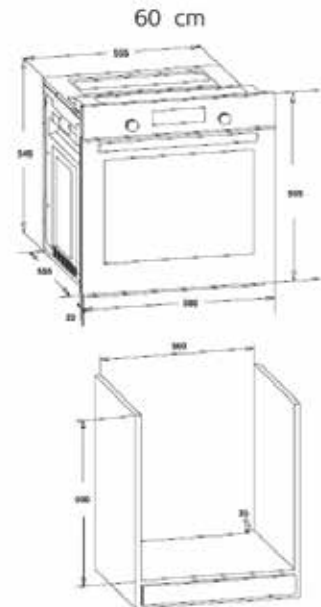
Cut-Out Dimensions (WxDxH): 560x550x590 mm

Packing Dimensions (WxDxH): 620x640x650 mm

Loading Capacity 40hq : 228



6 2 9 1 1 0 1 6 9 2 3 3 9





**BUILT-IN
OVEN**

FEATURES

NBI61050

- 60cm Gas Oven
- 62Ltr Capacity
- Gas Oven + Fan (Gas Oven With Gas Grill + Fan)
- Elegant Black Glass Design
- Automatic Ignition
- Auto Cooling Fan
- Touch Digital Reminder
- Thermostatic Control with Flame Failure Device
- Easily Detachable Side Wire Racks

PACKING DETAILS

Product Dimensions (WxDxH): 595x565x595 mm
 Cut-Out Dimensions (WxDxH): 560x550x590 mm
 Packing Dimensions (WxDxH): 620x640x650 mm
 Loading Capacity 40hg : 265



Gas Oven



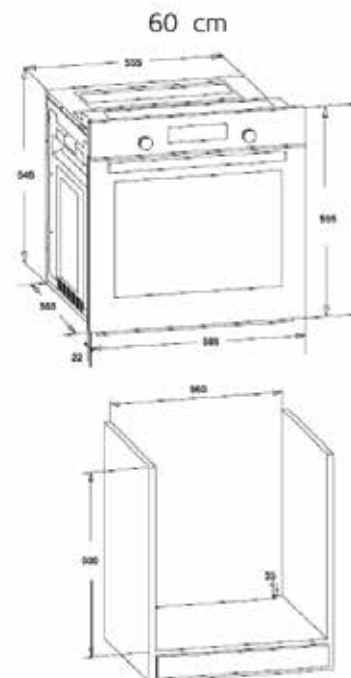
Inner Lamp



Pan Support



Enamelled & Shiny Surface





**BUILT-IN
OVEN**

FEATURES

NBI63020



Gas Oven



Inner Lamp



Pan Support

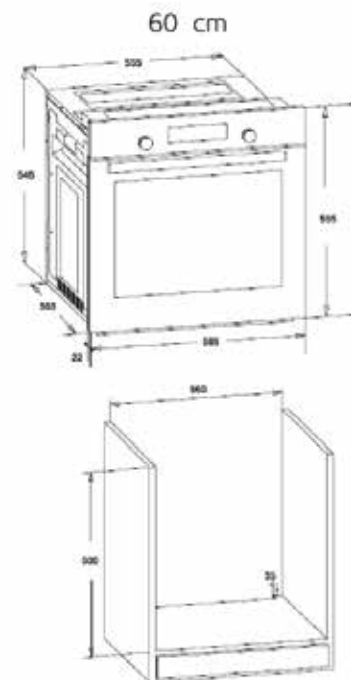


Auto Cooling
Fan

- 60cm Gas Oven
- Gas Oven + Fan (Gas Oven With Gas Grill + Fan)
- Elegant Black Glass Design
- Automatic Ignition
- Auto Cooling Fan
- Touch Digital Reminder
- Thermostatic Control with FFD
- Easily Detachable Side Wire Racks
- Inox Capped Knobs
- Aluminium Handle
- Enamelled Cavity

PACKING DETAILS

Product Dimensions (WxDxH): 595x565x595 mm
Cut-Out Dimensions (WxDxH): 560x550x590 mm
Packing Dimensions (WxDxH): 620x640x650 mm
Loading Capacity 40hq : 265





BUILT-IN
OVEN

FEATURES

NBI64090



Electric Oven



Inner Lamp



Enamelled &
Shiny Surface

- 60cm Electric Built-in Oven
- 60 Litres
- 3 Touch Digital Timer, Inner Lamp
- Tempered Black Glass Control Panel & Front Door
- Triple Glazed Oven Door with Full Inner Glass
- 0+8 Functions Oven Control
- Turbo Fan with Turbo Heating Element
- Electric Oven & Grill
- Auto Cooling Fan, Closed Door Grilling
- Detachable Side Wire Racks
- 220-240V~,50/60Hz
- BS Plug

PACKING DETAILS

Net Weight : 29.5 KG

Gross Weight : 31.5 KG

Product Dimensions (WxDxH): 595x565x595 mm

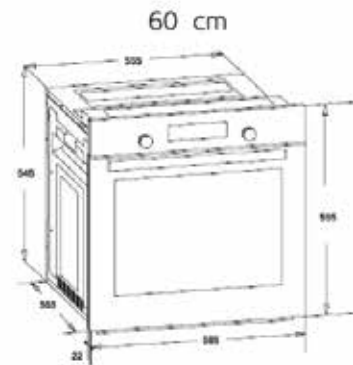
Cut-Out Dimensions (WxDxH): 560x550x590 mm

Packing Dimensions (WxDxH): 620x640x650 mm

Loading Capacity 40hq : 228



6 2 9 1 1 0 1 6 9 1 7 9 0





**BUILD-IN
OVEN**

FEATURES

NBI91020



Gas Oven



Inner Lamp



Enamelled &
Shiny Surface

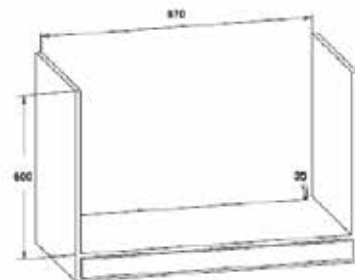
- 90cm Gas Built-in Oven
- 105 Litres
- Mechanical Timer, Inner Lamp
- Tempered Black Glass Front Door
- Stainless Steel Control Panel
- Double Glazed Oven Door with Full Inner Glass
- 1 Knob Oven Control
- Auto Ignition & Thermostatic Control
- Gas Oven & Grill
- Auto Cooling Fan, Closed Door Grilling
- Detachable Side Wire Racks, FFD
- 220-240V~,50/60Hz

PACKING DETAILS

Net Weight : 53.5 Kg
Gross Weight : 56 Kg
Product Dimensions (WxDxH): 896x565x595 mm
Cut-Out Dimensions (WxDxH): 870x550x590 mm
Packing Dimensions (WxDxH): 930x665x675 mm
Loading Capacity 40hq : 168



6 2 9 1 1 0 1 6 9 2 9 1 9





**BUILD-IN
OVEN**

FEATURES

NBI91050



Electric Oven

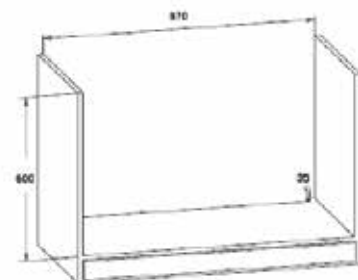


Inner Lamp



Enamelled & Shiny Surface

- 90cm Electric Built-in Oven
- 110 Litres
- Mechanical Timer, Inner Lamp
- Tempered Black Glass Front Door
- Stainless Steel Control Panel
- Triple Glazed Oven Door with Full Inner Glass
- 0+4 Functions Oven Control & Thermostatic Control
- Electric Oven & Grill
- Auto Cooling Fan, Closed Door Grilling
- Detachable Side Wire Racks
- 220-240V~,50/60Hz
- BS Plug



PACKING DETAILS

Net Weight : 51.5 Kg
 Gross Weight : 54 Kg
 Product Dimensions (WxDxH): 896x565x595 mm
 Cut-Out Dimensions (WxDxH): 870x550x590 mm
 Packing Dimensions (WxDxH): 930x665x675 mm
 Loading Capacity 40hq : 168





BUILD-IN OVEN

FEATURES

NBI93020



Gas Oven

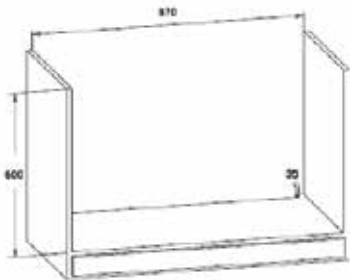


Inner Lamp



Enamelled & Shiny Surface

- 90cm Gas Built-in Oven
- 97 Litres
- 3 Touch Digital Timer, Inner Lamp
- Tempered Black Glass Front Door
- Stainless Steel Control Panel
- Double Glazed Oven Door with Full Inner Glass
- 1 Knob Oven Control
- Auto Ignition & Thermostatic Control
- Gas Oven & Grill
- Auto Cooling Fan, Closed Door Grilling
- Detachable Side Wire Racks, FFD
- 220-240V~,50/60Hz



PACKING DETAILS

Net Weight : 54 Kg
 Gross Weight : 56.5 Kg
 Product Dimensions (WxDxH): 896x565x595 mm
 Cut-Out Dimensions (WxDxH): 870x550x590 mm
 Packing Dimensions (WxDxH): 930x665x675 mm
 Loading Capacity 40hq : 168





BUILD-IN OVEN

FEATURES

NBI94100

- 90cm Electric Built-in Oven
- 101 Litres
- 3 Touch Digital Timer, Inner Lamp
- Tempered Black Glass Control Panel & Front Door
- Triple Glazed Oven Door with Full Inner Glass
- 0+9 Functions Oven Control
- Turbo Fan with Turbo Heating Element
- Electric Oven & Grill
- Auto Cooling Fan, Closed Door Grilling
- Detachable Side Wire Racks
- 220-240V~,50/60Hz
- BS Plug

PACKING DETAILS

Net Weight : 52 Kg
 Gross Weight : 54 Kg
 Product Dimensions (WxDxH): 896x565x595 mm
 Cut-Out Dimensions (WxDxH): 870x550x590 mm
 Packing Dimensions (WxDxH): 930x665x675 mm
 Loading Capacity 40hq : 168

- Electric Oven
- Inner Lamp
- Auto Cooling Fan
- Enamelled & Shiny Surface

